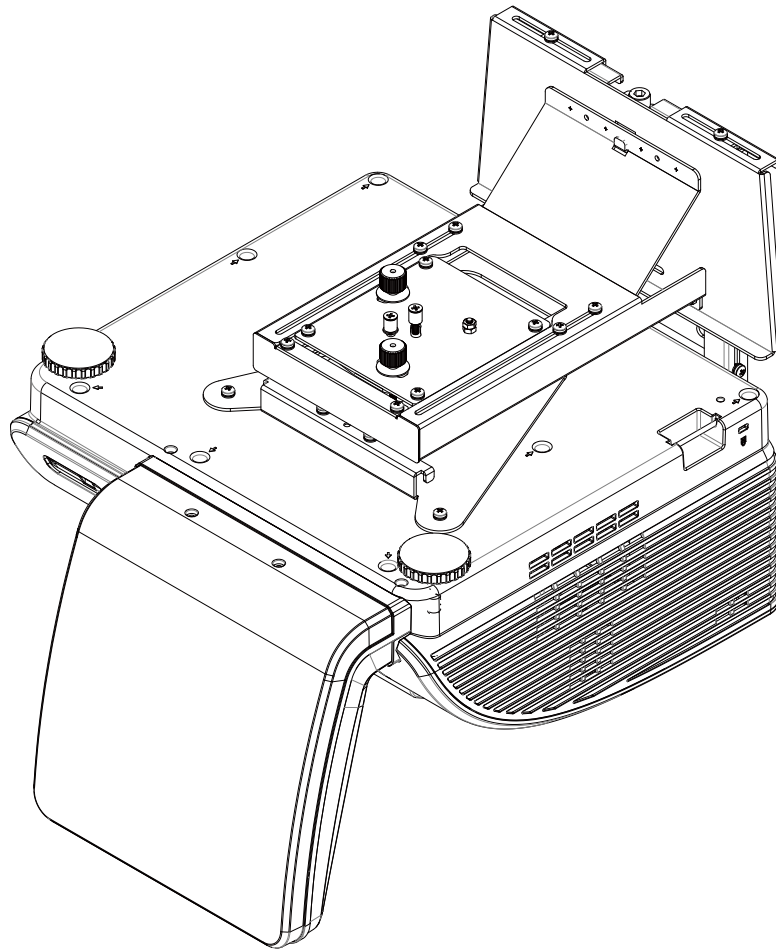


Installation Manual

D79x Ultra Short Series



- Be sure to read this manual thoroughly and to do the installation work safely. Keep this manual available for future reference.
- Sufficient expertise is required for installing this projector Wall Mount.
- Do not use the projector Wall Mount for purposes other than for which it is designed.

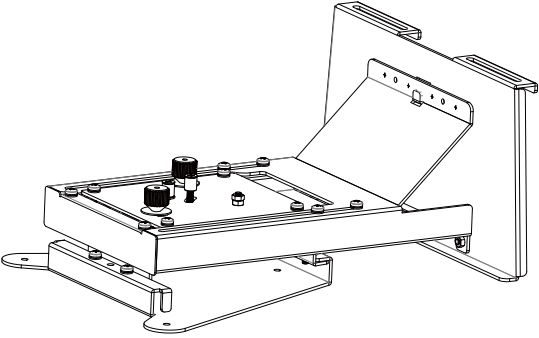
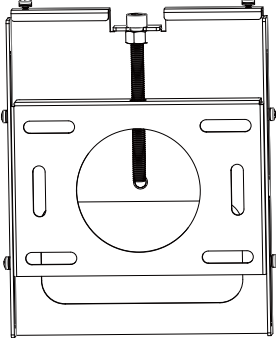
Important Safety



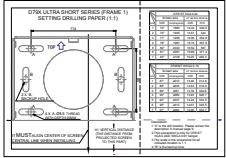
- Be sure to read this manual thoroughly to do the installation work.
- Only qualified service personnel (two or more) should carry out installation or dismantling of the projector from the projector Wall Mount.
- For safety reasons, check the strength of the wall before installation. If the wall is not strong enough, reinforce it sufficiently before installation.
- Do not make alterations to the projector Wall Mount.
- Do not install the projector Wall Mount on a wall subject to vibration or impact.
- To avoid fire, do not install the projector with the projector Wall Mount in a humid or excessively dusty place.
- Use the supplied accessories only. Use of accessories other than those supplied may result in damage to the projector Wall Mount.
- When dismantling the projector from the projector Wall Mount, be sure to unplug the AC power cord and other connecting cables beforehand.
- Do not hit or hang any heavy objects on the projector Wall Mount. If the projector Wall Mount is damaged, stop use and contact a qualified service person immediately.
- Please install this apparatus only on the horizontal surface instead of the slanting one.
- Manufacturer is not liable for any damages or injury caused by mishandling or improper installation.



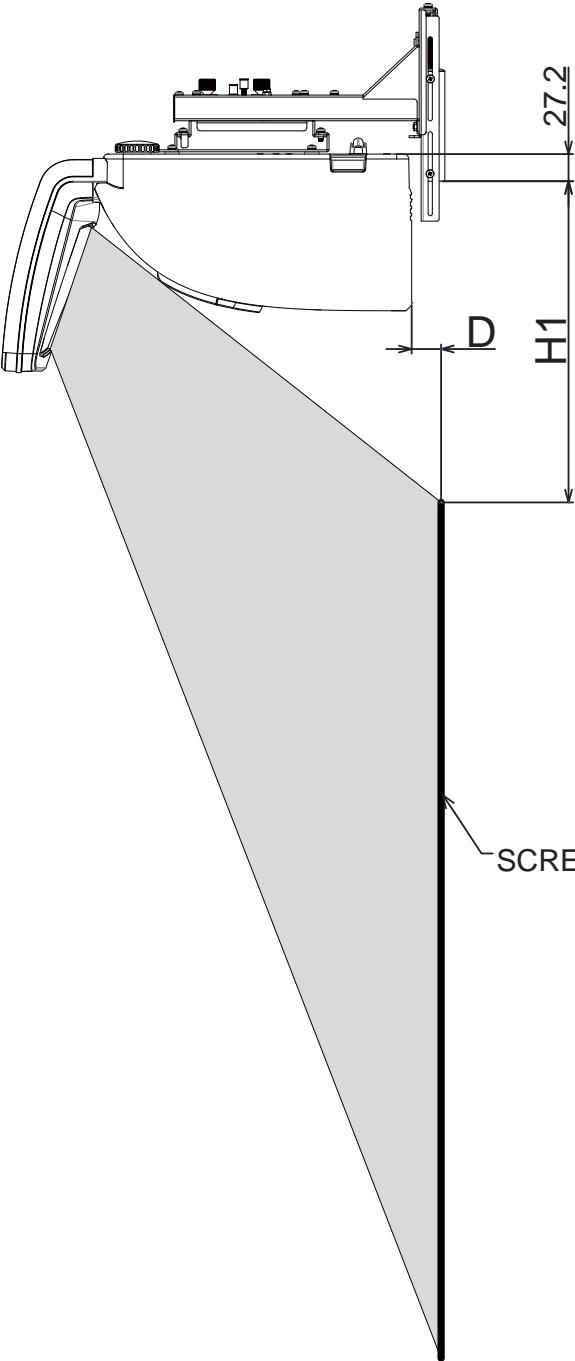
Use with products heavier than the maximum weights (Weight Capacity : < 30kg (without Wall Mount bracket's weight)) indicated may result in instability causing possible injury.

Checking The Supplied Accessories

	
<p>Wall Mount</p>	<p>FRAME 1 & 2 Plate</p>

No	Diagrammatic presentation	Designation	Quantity	Purpose
a		<p>M4*10mm ball head cross head screw (with flat gasket and spring washer)</p>	<p>3</p>	<p>Used for fix Wall Mount and projector</p>
b		<p>M8*70mm setscrew (with nut, flat gasket and spring washer)</p>	<p>4</p>	<p>Used for installing and fixing Wall Mount bracket structure FRAME#1 onto the wall</p>
c		<p>Setting Drilling Paper</p>	<p>1</p>	<p>For proper installation evaluation</p>

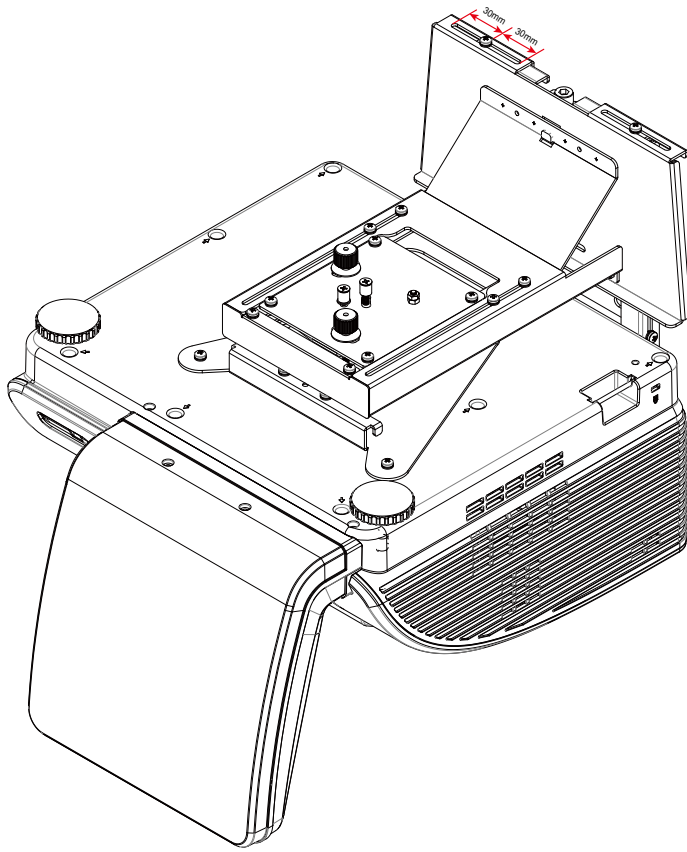
Checking The Installation Position



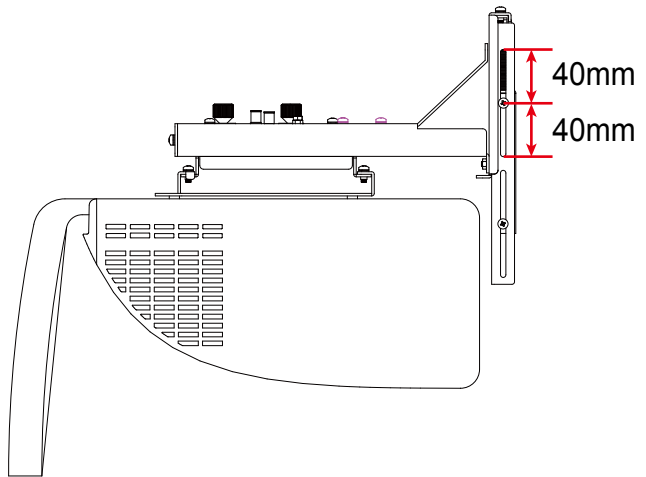
D791ST XGA 0.24					
Screen size (diagonal)		Projecting distance (D)		Vertical distance (H1)	
inch	mm	inch	mm	inch	mm
74"	1880	0.93	23.7	14.44	339.5
75"	1905	1.15	29.2	14.61	344
77"	1956	1.58	40.2	14.96	352.8
78"	1987	1.82	46.2	15.15	357.5
80"	2032	2.27	57.7	15.52	367
81"	2057	2.49	63.2	15.69	371.4
83"	2108	2.94	74.7	16.05	380.4

D795WT WXGA 0.19					
Screen size (diagonal)		Projecting distance (D)		Vertical distance (H1)	
inch	mm	inch	mm	inch	mm
87"	2210	0.88	22.4	13.46	314.8
88"	2235	1.10	27.9	13.63	318.9
89"	2261	1.31	33.4	13.78	322.9
90"	2286	1.51	38.4	13.93	326.7
92"	2337	1.93	48.9	14.24	334.5
95"	2413	2.50	63.4	14.67	345.5
97"	2464	2.89	73.4	14.96	352.7

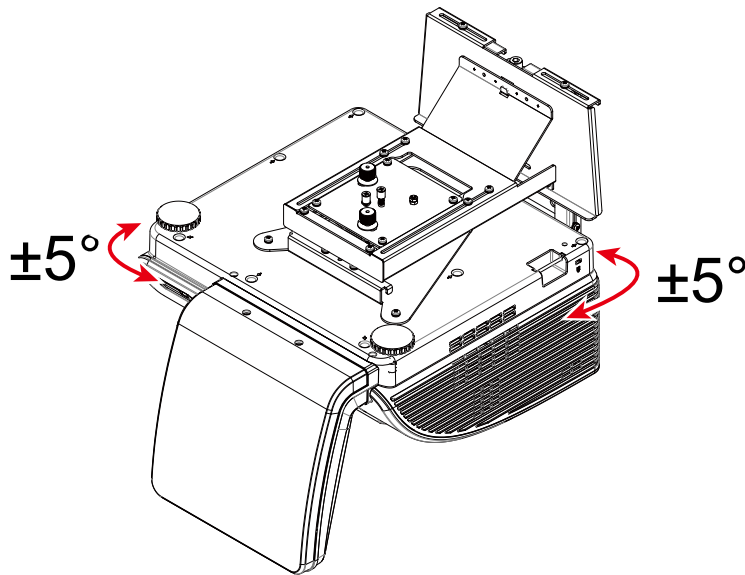
D: Projection distance
 H1: Distance between the wall plate and the upper of image



Regulating range:
Horizontal: $\pm 30\text{mm}$



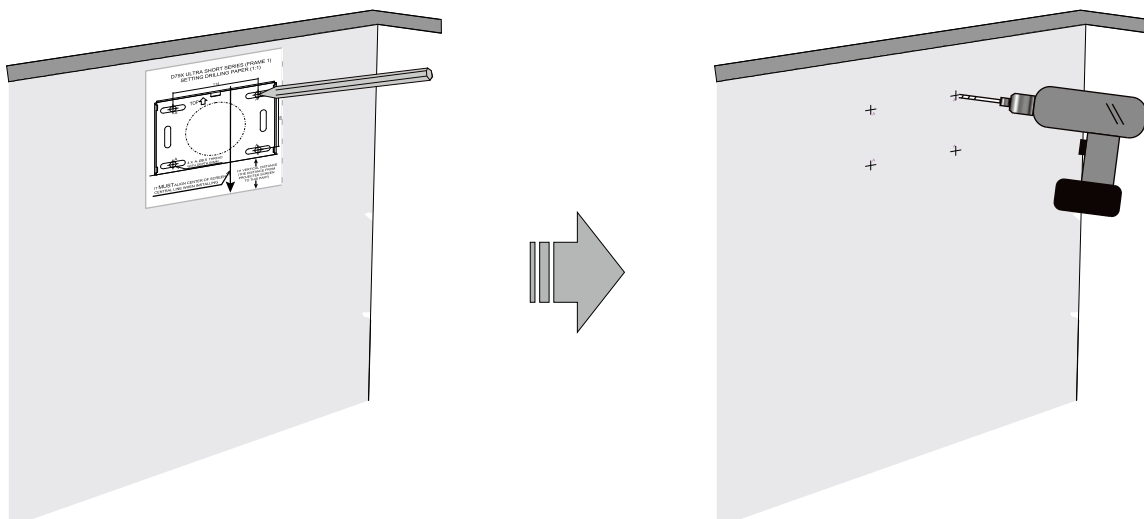
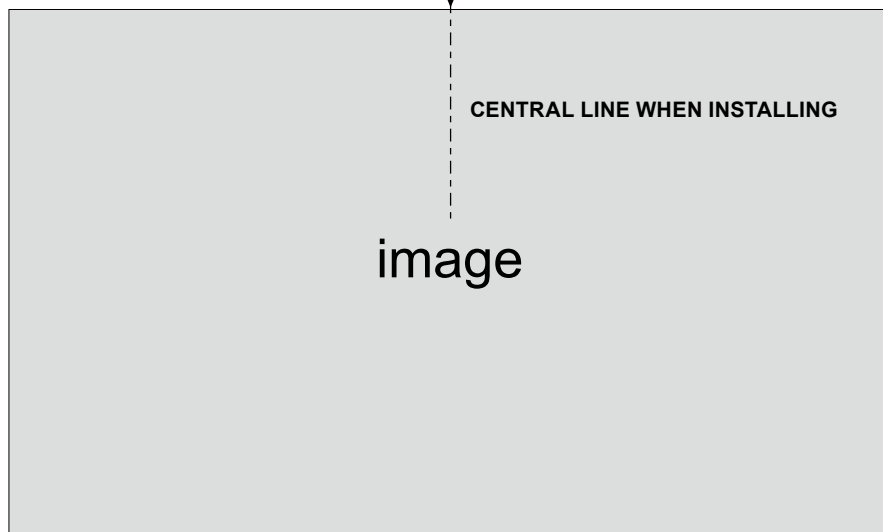
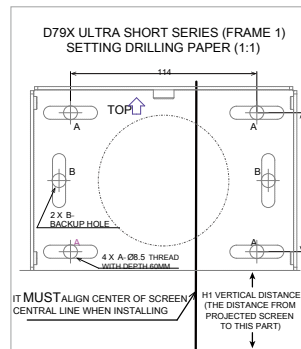
Regulating range:
Vertical: $\pm 40\text{mm}$



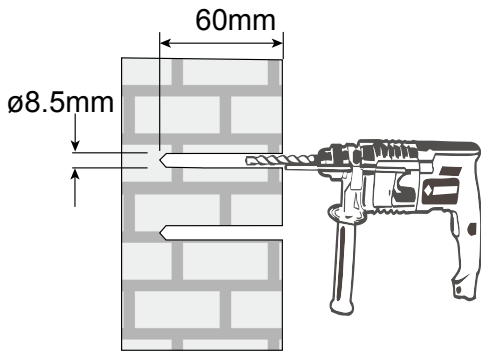
Regulating range:
 $\pm 5^\circ$

To Set The Projector Wall Mount On The Wall

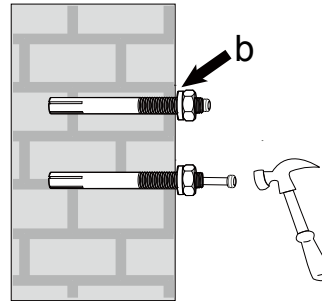
- According to the vertical distance (H1) to determine the installation height of the wall plate. Vertical distance (H1) parameters are for reference only
- You can find this form in the Wall Mount packaging.
- Please refer the Setting Drilling Paper for proper installation evaluation.



- The bracket is suitable for concrete Wall Mounting.
- Concrete Wall Mounting thickness must be a minimum 100mm. Setscrew (M8*70) are needed to be used for installation.
- Please contact manufacturer if you have any questions about mounting surface issue.



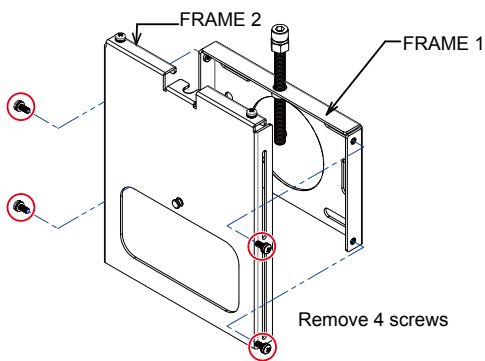
Concrete wall mounting



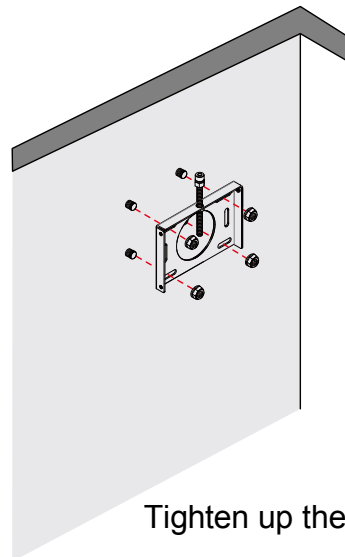
Use setscrew

Hammer the nail into the setscrew.

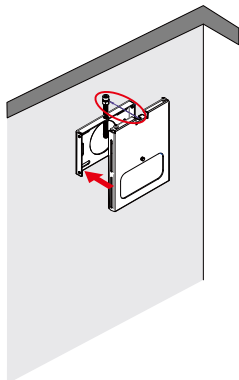
setscrew (M8*70) are needed to be used for installation in concrete Wall Mounting



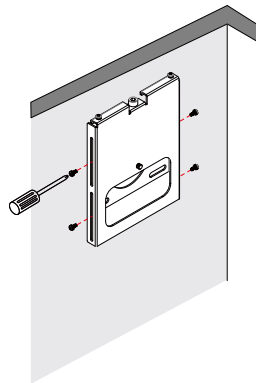
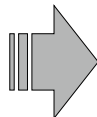
Remove 4 screws



Tighten up the nut for each

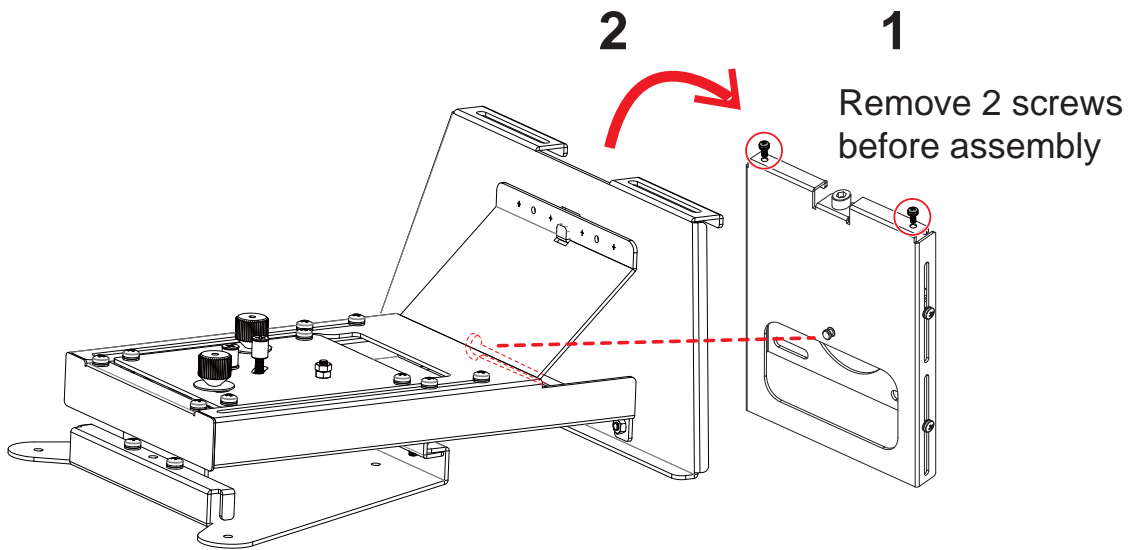


To install the FRAME 2

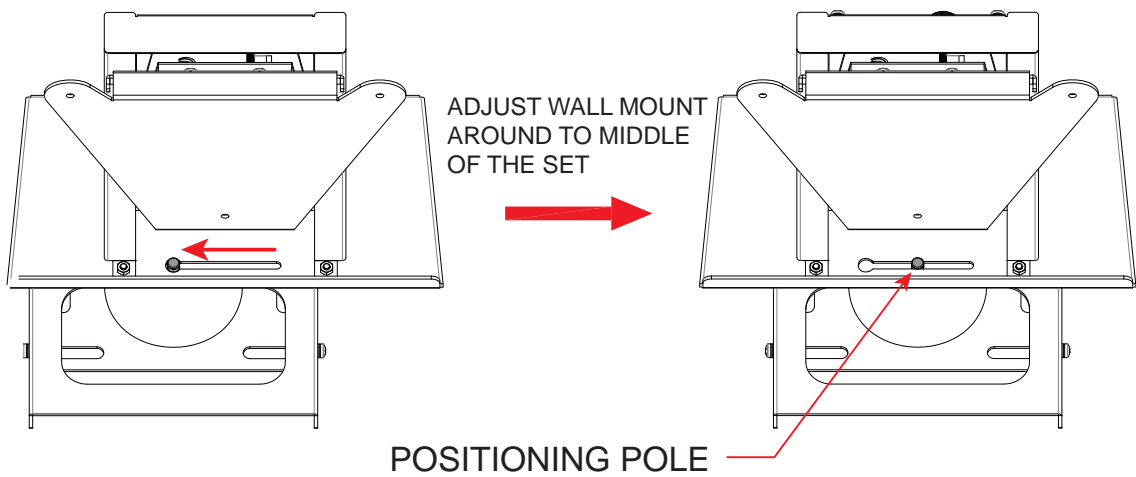


Tighten 4 screws corresponding threaded hole slightly.

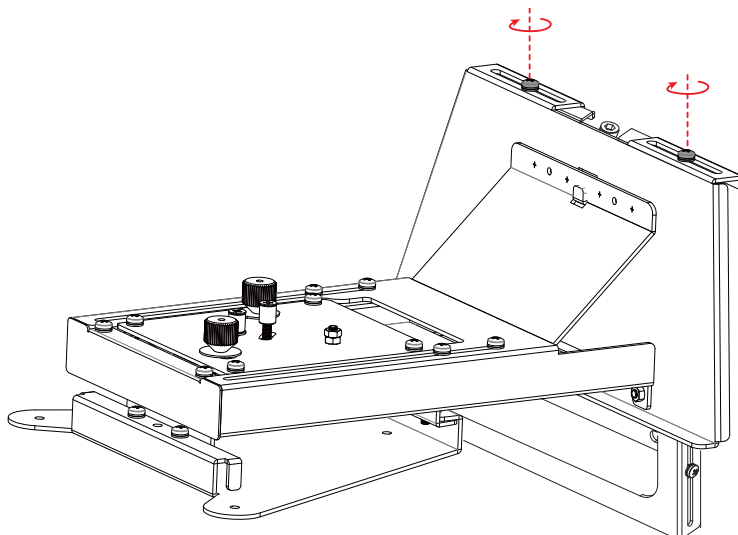
- Loosen 2 screws from FRAME 2
- Install Wall Mount with FRAME 2



- Adjust Wall Mount to the proper (center) position

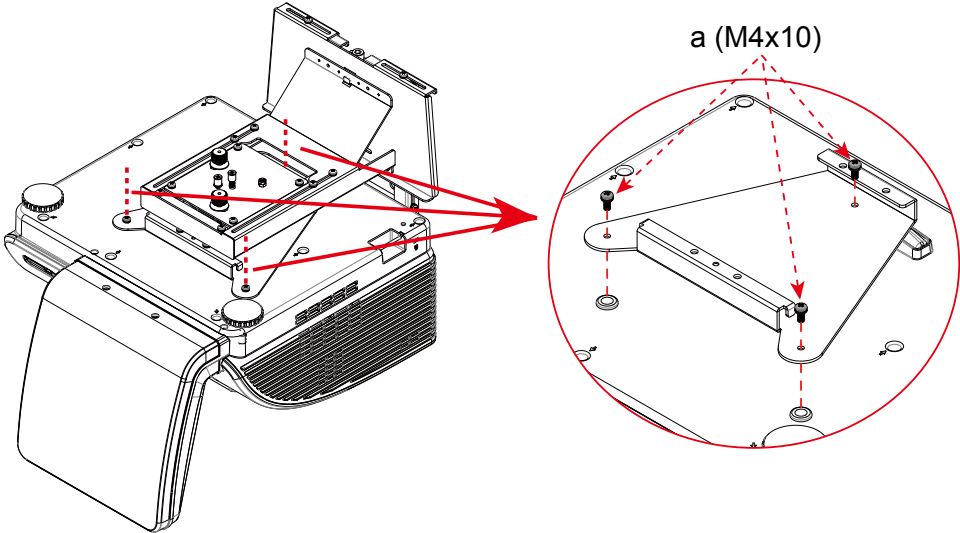


- Tighten 2 screws corresponding threaded hole slightly

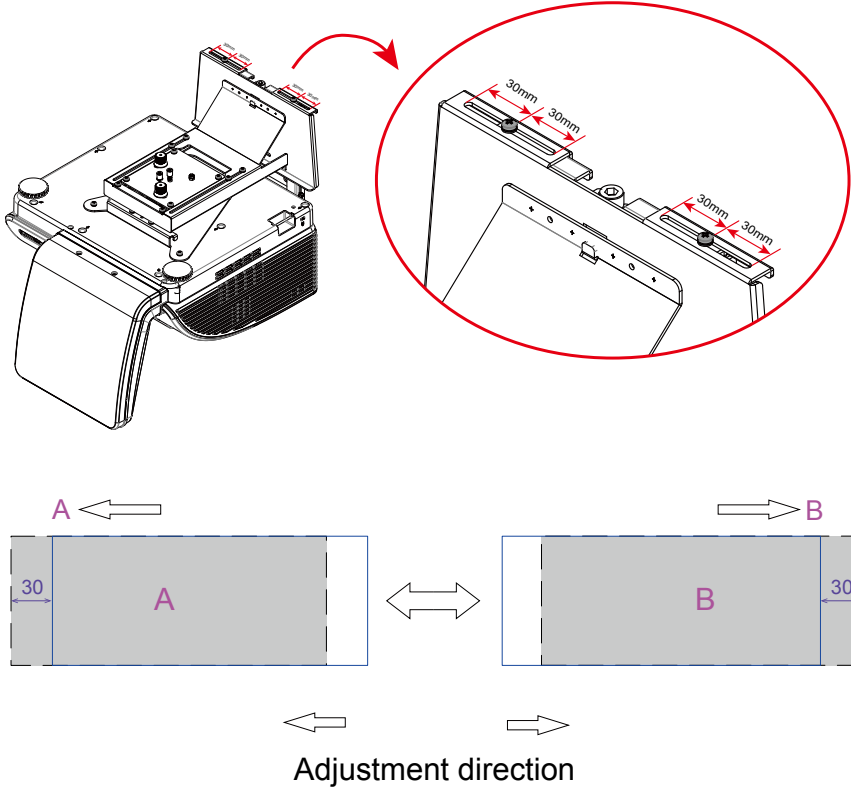


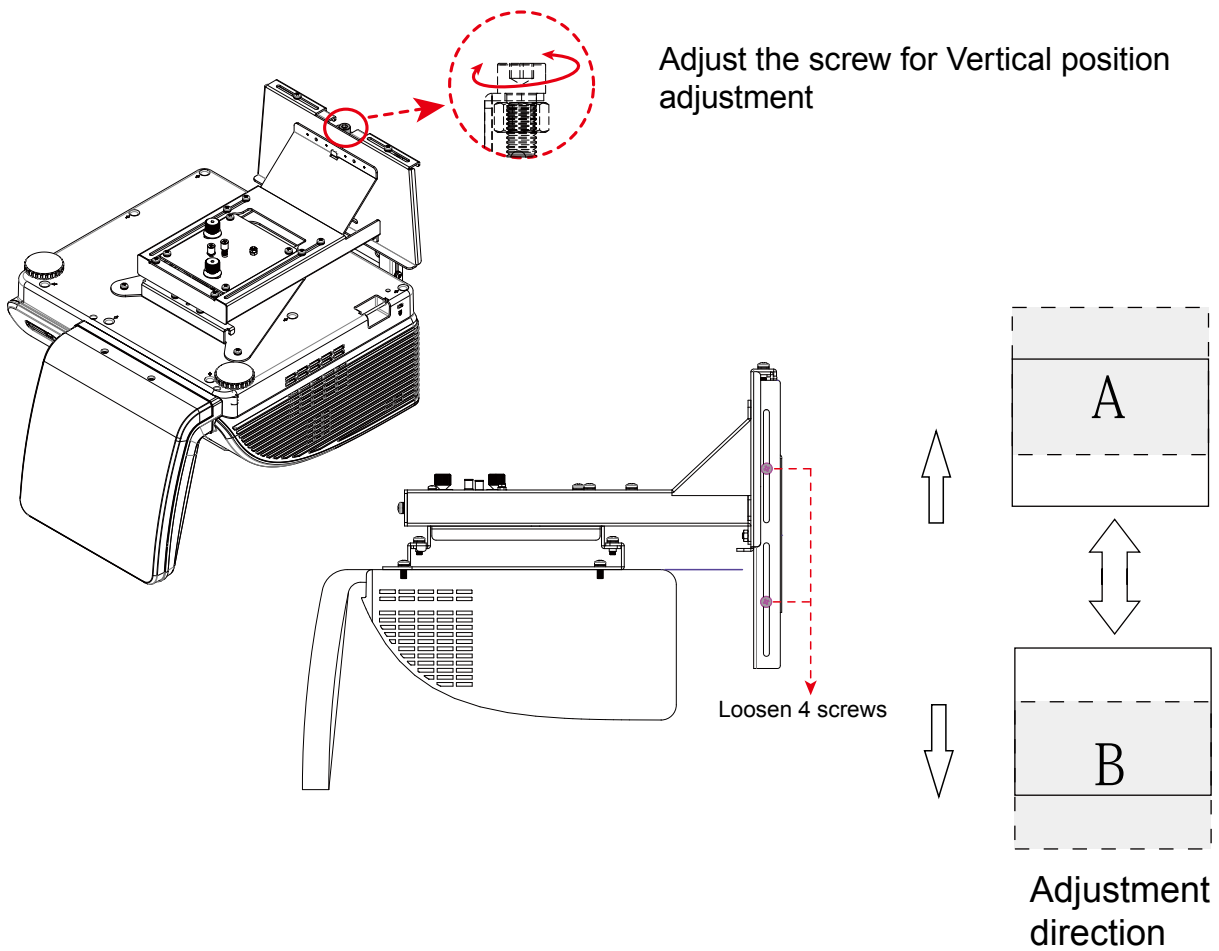
To Install The Projector On The Wall Mount

- Used accessory "a" (M4x10) to fix projector and Wall Mount

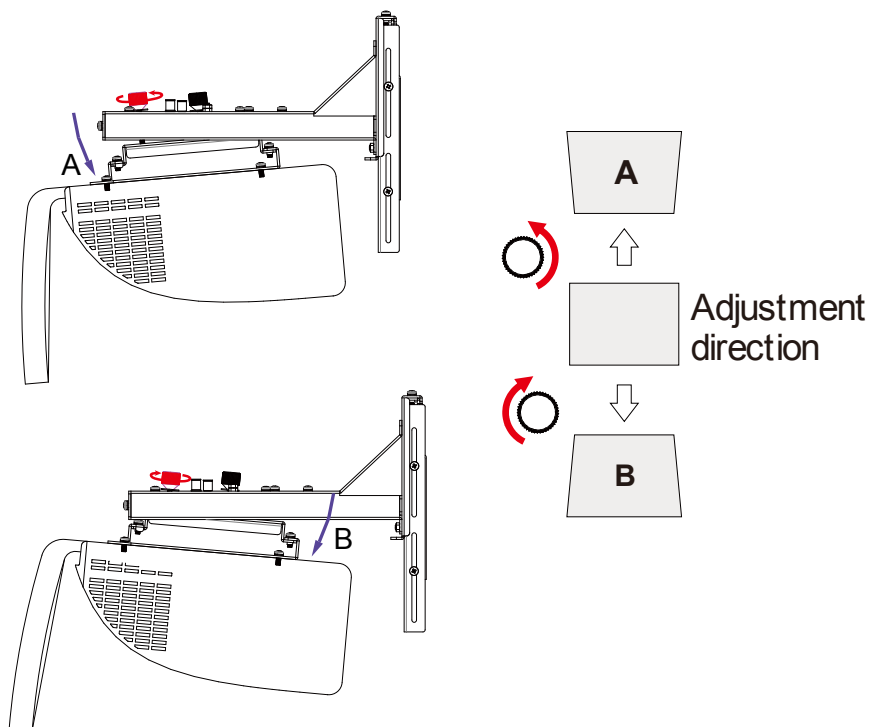


- Adjust the Wall Mount leftward/rightward or up/down slide.

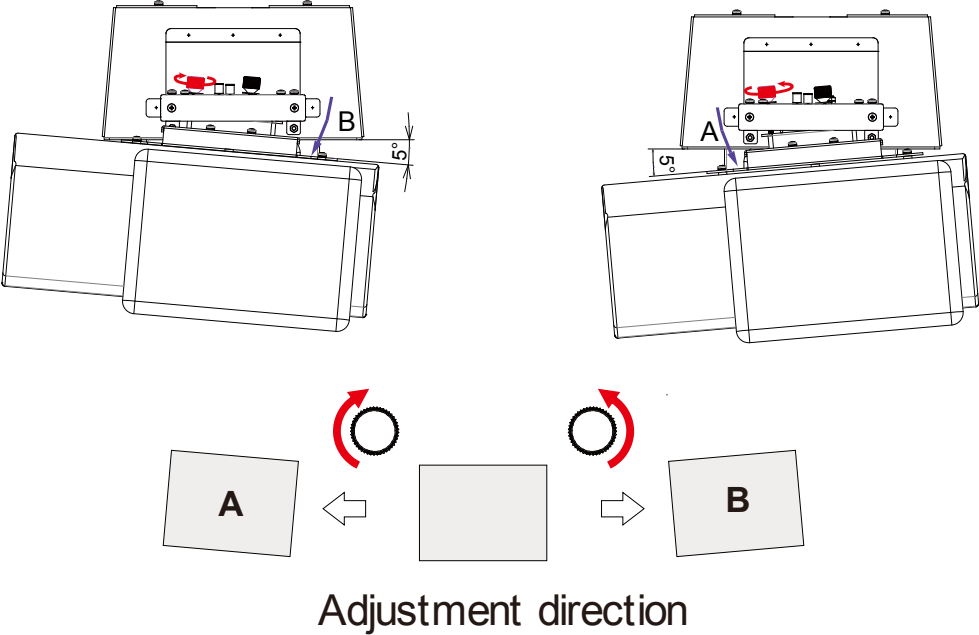




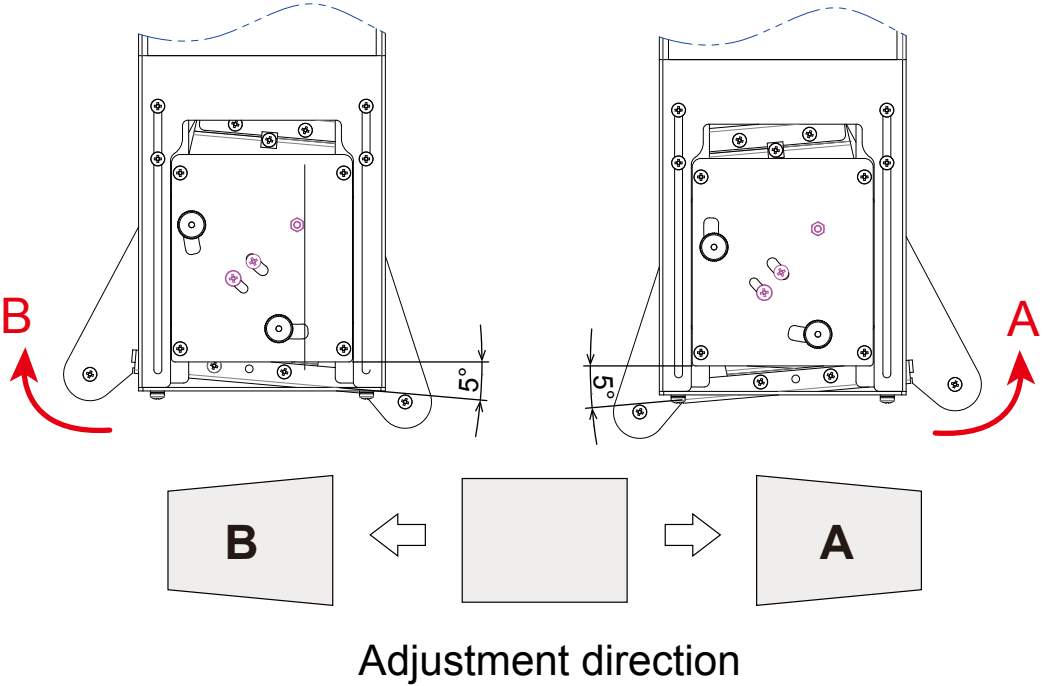
To Adjust The Vertical Tilt



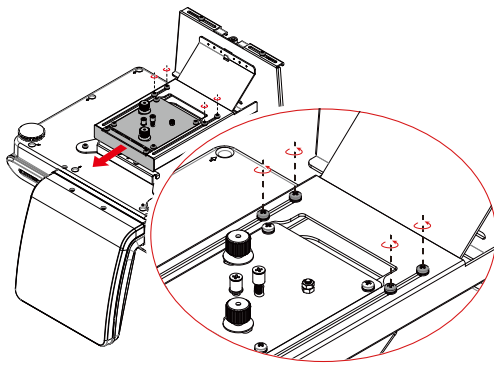
To Adjust The Horizontal Roll



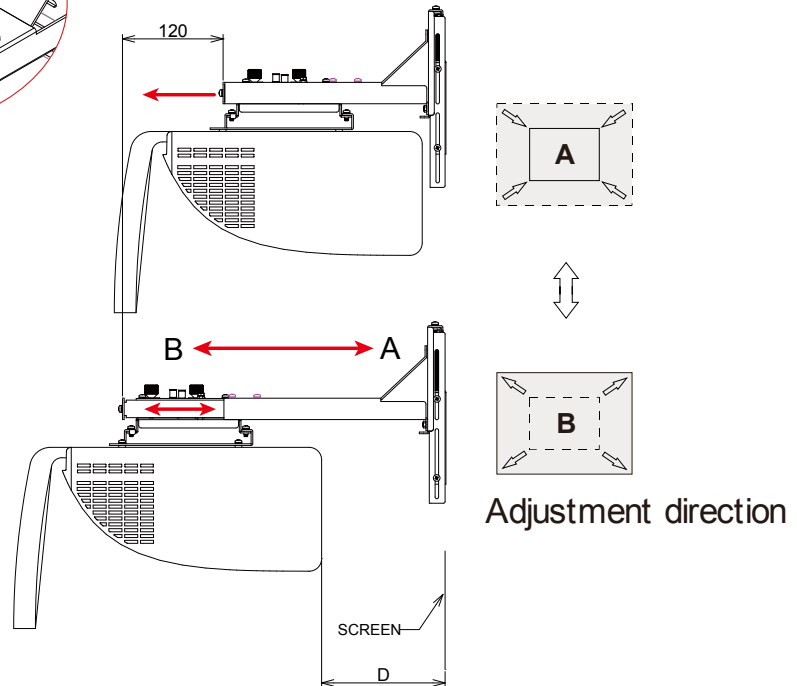
To Adjust The Horizontal Rotation



To Adjust The Forward/Backward Slide



Loosen 4 screws before forward or backward slide



Product Information

Net weight: 3.8kg	Rated capacity: 30kg (without Wall Mount bracket's weight)
Adjustable angle: Longitudinal inclination Level angle Yaw angle $\pm 5^{\circ}$ (3 directions)	
Adjustable range: Can be adjusted 120mm forward	
Adjustable range for upward/downward slide : ± 40 mm	
Adjustable range for leftward/rightward slid: ± 30 mm	



WARNING
AFTER ALL THE ADJUSTMENT, PLEASE TIGHTEN ALL SCREWS ,
OTHERWISE, THE PROJECTOR AND WALL MOUNT BRACKET MAY FALL
AND CAUSE PERSONAL INJURY OR PROPERTY LOSS.